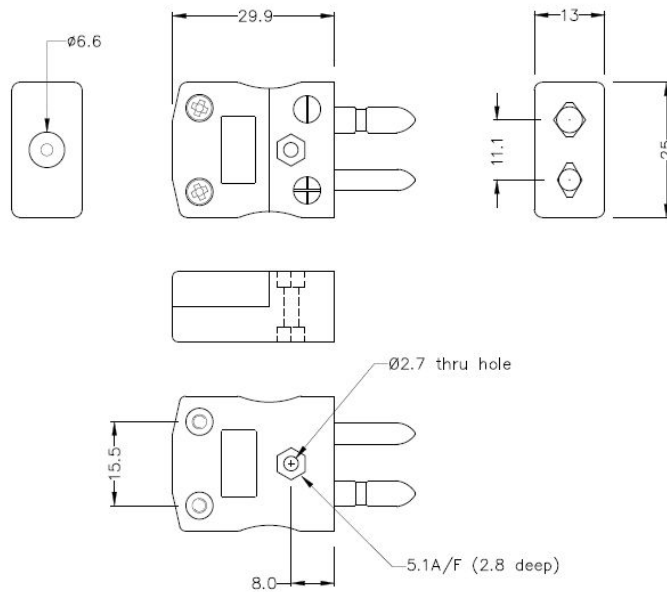
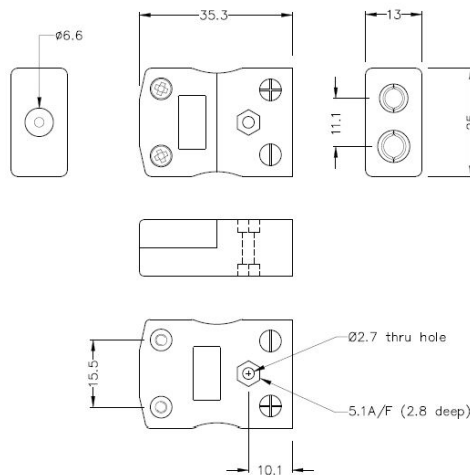


# Conector de termopar estándar Enchufe y Socket JS-J-M+F Tipo J JIS



**Standard in-line Plug**  
(dimensions in mm)



**Standard in-line Socket**  
(dimensions in mm)



Labfacility are the UK's leading manufacturer of Temperature Sensors, Thermocouple Connectors and associated Temperature Instrumentation and stockings of Thermocouple Cables. The Company has been trading since 1971 and is ISO9001 accredited.

**Conector de termopar estándar Enchufe y Socket JS-J-M+F Tipo J JIS**

Los contactos están hechos de verdaderas aleaciones de termopar. Adecuado para aplicaciones industriales

**Especificaciones****Specifications**

<b>Product Code</b>	XE-1075-001
<b>General Description</b>	Contacts are polarised to prevent incorrect connection
<b>Thermocouple Type</b>	J JIS
<b>Connector Size</b>	Standard
<b>Connector Type</b>	Plug & Socket
<b>Colour</b>	Yellow
<b>Max. Temperature</b>	220°C
<b>Pins</b>	Solid Round Pins
<b>+Positive Contact</b>	Iron
<b>-Negative Contact</b>	Copper Nickel
<b>Standards Met</b>	BS EN 50212:1997. RoHS