

HEATSINK

DATASHEET – V1.0x

SUMMARY

INTRODUCTION	1
ND10 HEATSINK	1
ND25 HEATSINK	2
ND40 HEATSINK	2
NDP3 120 mm HEATSINK	2
NDP3 180 mm HEATSINK	3
NDP3 220 mm HEATSINK	4
TECHNICAL SPECIFICATIONS	4
WARRANTY	4

INTRODUCTION

This datasheet presents information about **NOVUS** heatsinks, such as dimensions and thermal dissipation coefficients, as well as the recommended SSR for each model.

ND10 HEATSINK

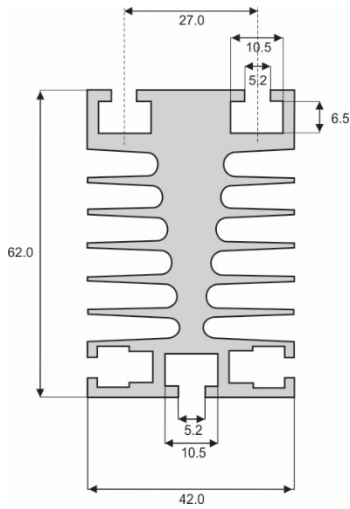


Figure 1 – ND10 Heatsink (65 mm: R thha = 2.0 °C / W)

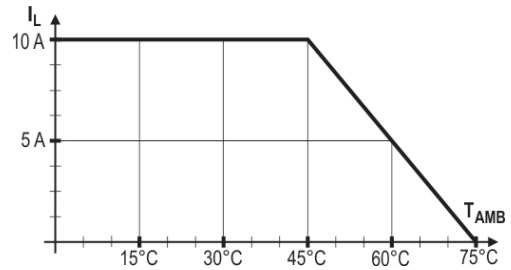


Figure 2 – SSR4810 + ND10 Heatsink 65 mm

RECOMMENDED FOR THE FOLLOWING MODELS:

- SSR4810

ND25 HEATSINK

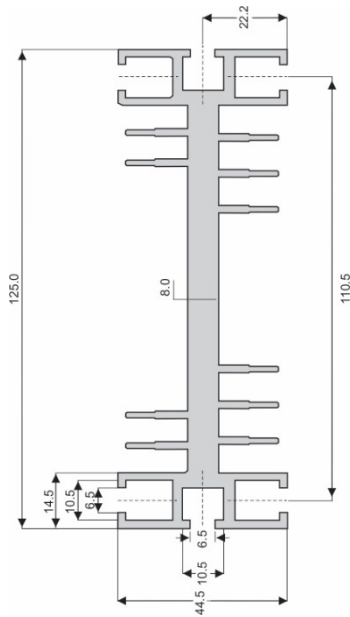


Figure 3 – ND25 Heatsink (120 mm: R thfa = 1.1 °C / W)

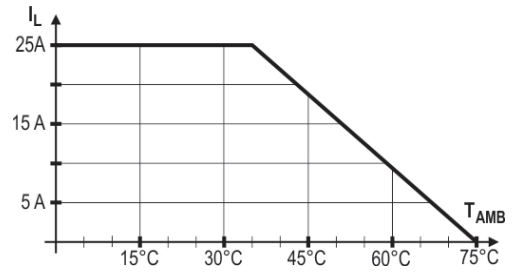


Figure 4 – SSR4825 + ND25 Heatsink 120 mm

RECOMMENDED FOR THE FOLLOWING MODELS:

- SSR4825

ND40 HEATSINK

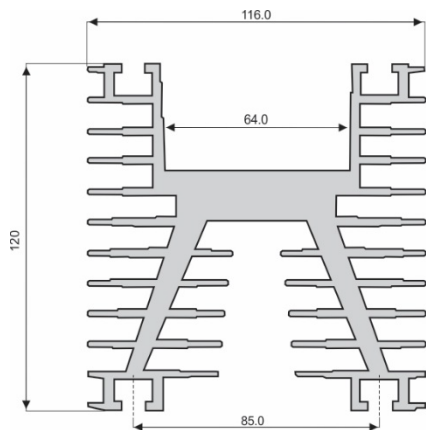


Figure 5 – ND40 Heatsink (100 mm: R thfa = 0.65 °C / W)

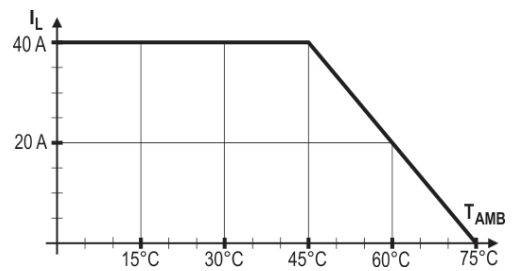


Figure 6 – SSR4840 + ND40 Heatsink 100 mm

RECOMMENDED FOR THE FOLLOWING MODELS:

- SSR4840
- SSR4840AC

NDP3 120 mm HEATSINK

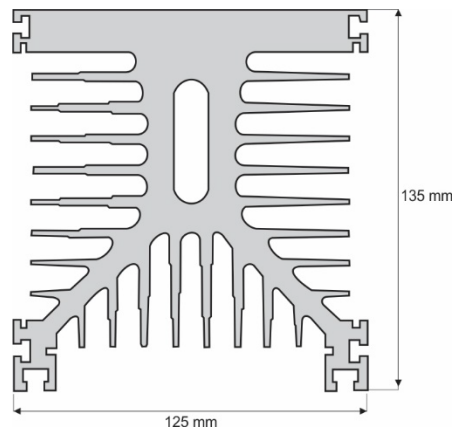


Figure 7 – NDP3 Heatsink (120 mm: R thfa = 0.52 °C / W)

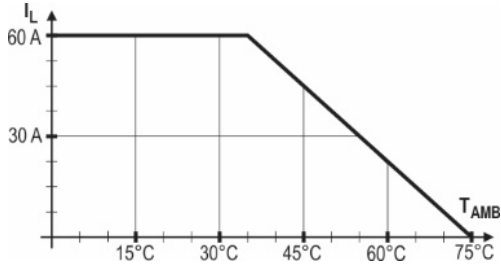


Figure 8 – SSR4860 + NDP3 Heatsink 120 mm

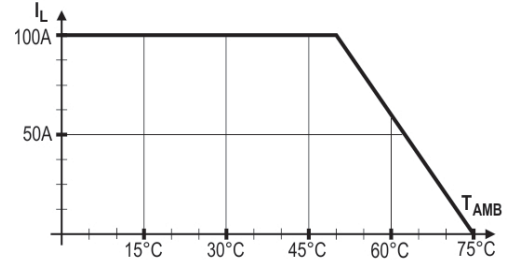


Figure 10 – SSR48100 + NDP3 Heatsink 120 mm + Fan 3 m/s

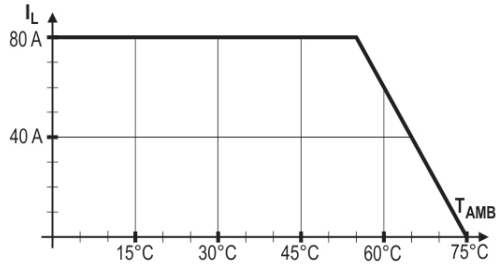


Figure 9 – SSR4880 + NDP3 Heatsink 120 mm + Fan 3 m/s

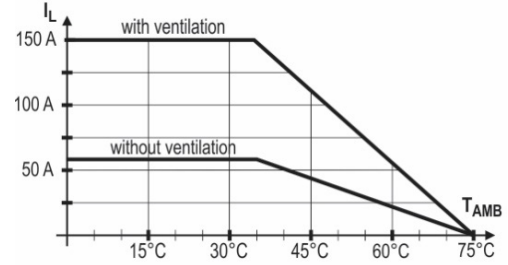


Figure 11 – SSR48100 – M / SSR48150 – M / SSR3-4840 / SSR4880AC + NDP3 Heatsink 120 mm

RECOMMENDED FOR THE FOLLOWING MODELS:

- SSR4860
- SSR4880
- SSR48100
- SSR48100 – M
- SSR48150 – M
- SSR3-4840
- SSR4880AC

NDP3 180 mm HEATSINK

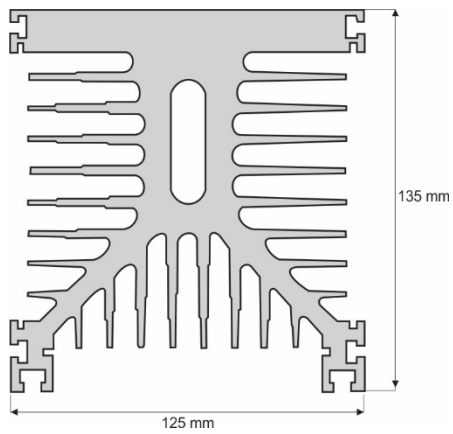


Figure 12 – NDP3 Heatsink (180 mm: R thha = 0.52 °C / W)

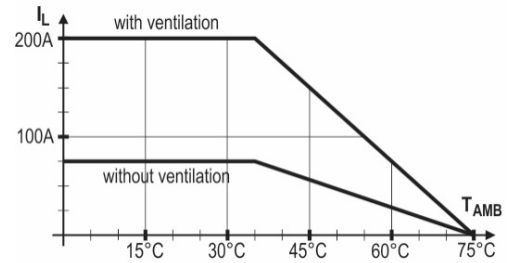


Figure 13 – SSR48200 – M + NDP3 Heatsink

RECOMMENDED FOR THE FOLLOWING MODELS:

- SSR48200 – M

NDP3 220 mm HEATSINK

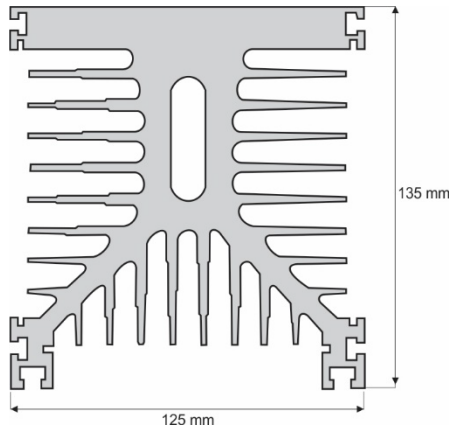


Figure 14 – NDP3 Heatsink (220 mm: R thta = 0.35 / 0.04 °C / W)

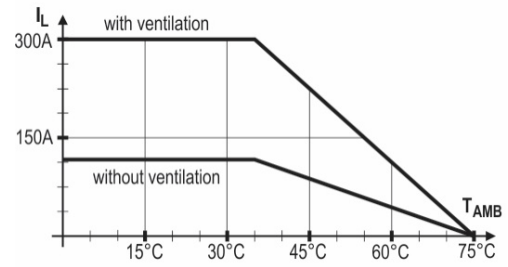


Figure 15 – SSR48300 – M / SSR3-4880 / SSR3-4890 + NDP3 Heatsink

RECOMMENDED FOR THE FOLLOWING MODELS:

- SSR48300 – M
- SSR3-4880
- SSR3-4890

TECHNICAL SPECIFICATIONS

PA	HEATSINK	SIZE	DISSIPATION COEFFICIENT	
			WITHOUT HEATSINK	WITH HEATSINK
8825000000	ND10	62 x 42 x 65 mm	2.0 °C / W	-
8825000010	ND25	125 x 44,5 x 120 mm	1.1 °C / W	-
8825000020	ND40	120 x 116 x 100 mm	0.65 °C / W	-
8825000100	NDP3 120 mm	135 x 125 x 120 mm	0.52 °C/W	0.175 °C/W
8825000110	NDP3 180 mm	135 x 125 x 180 mm	0.35 °C/W	0.125 °C/W
8825000220	NDP3 220 mm	135 x 125 x 220 mm	0.35 °C/W	0.125 °C/W

Table 1 – Technical specifications

WARRANTY

Warranty conditions are available on our website www.novusautomation.com/warranty.